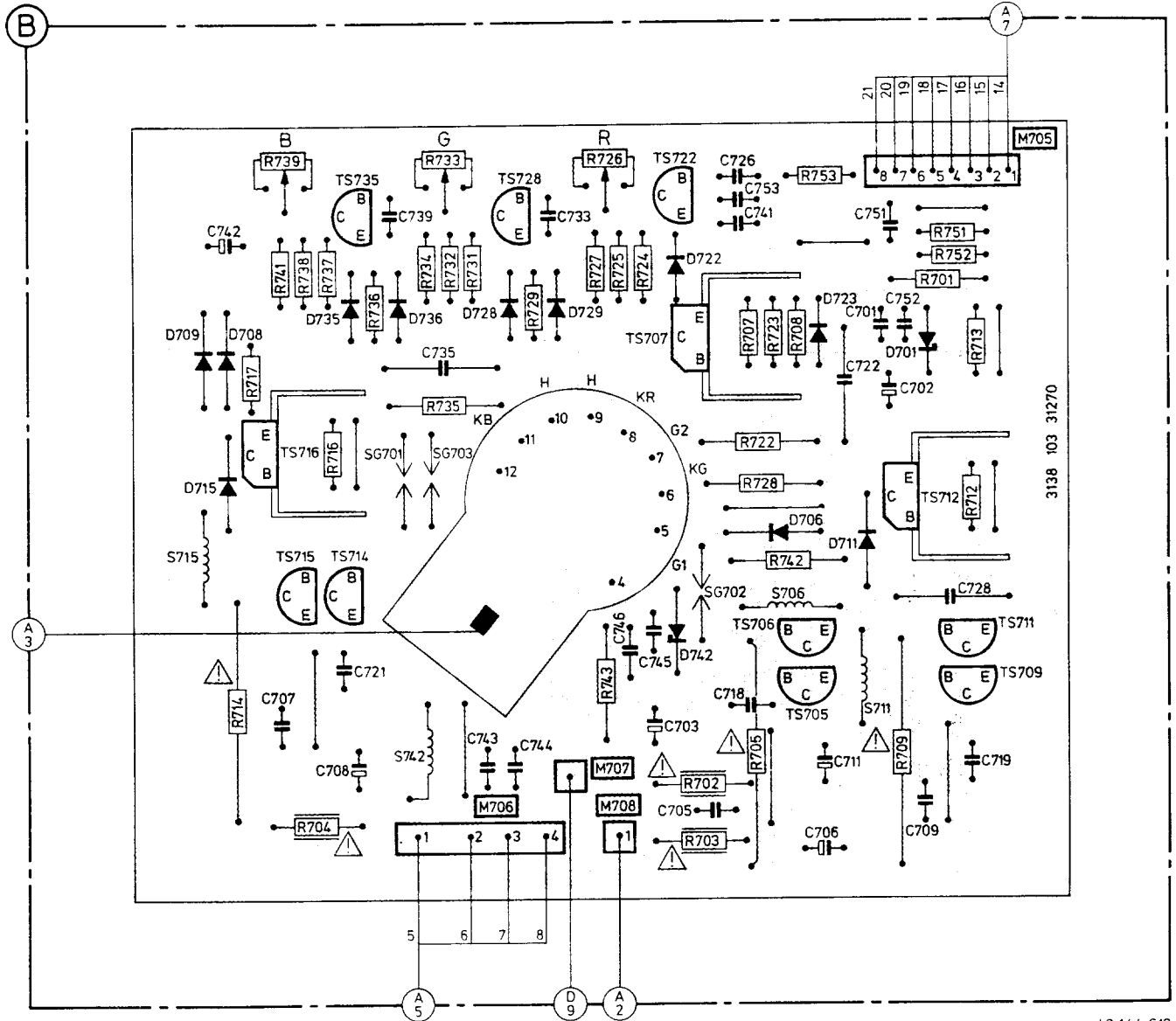
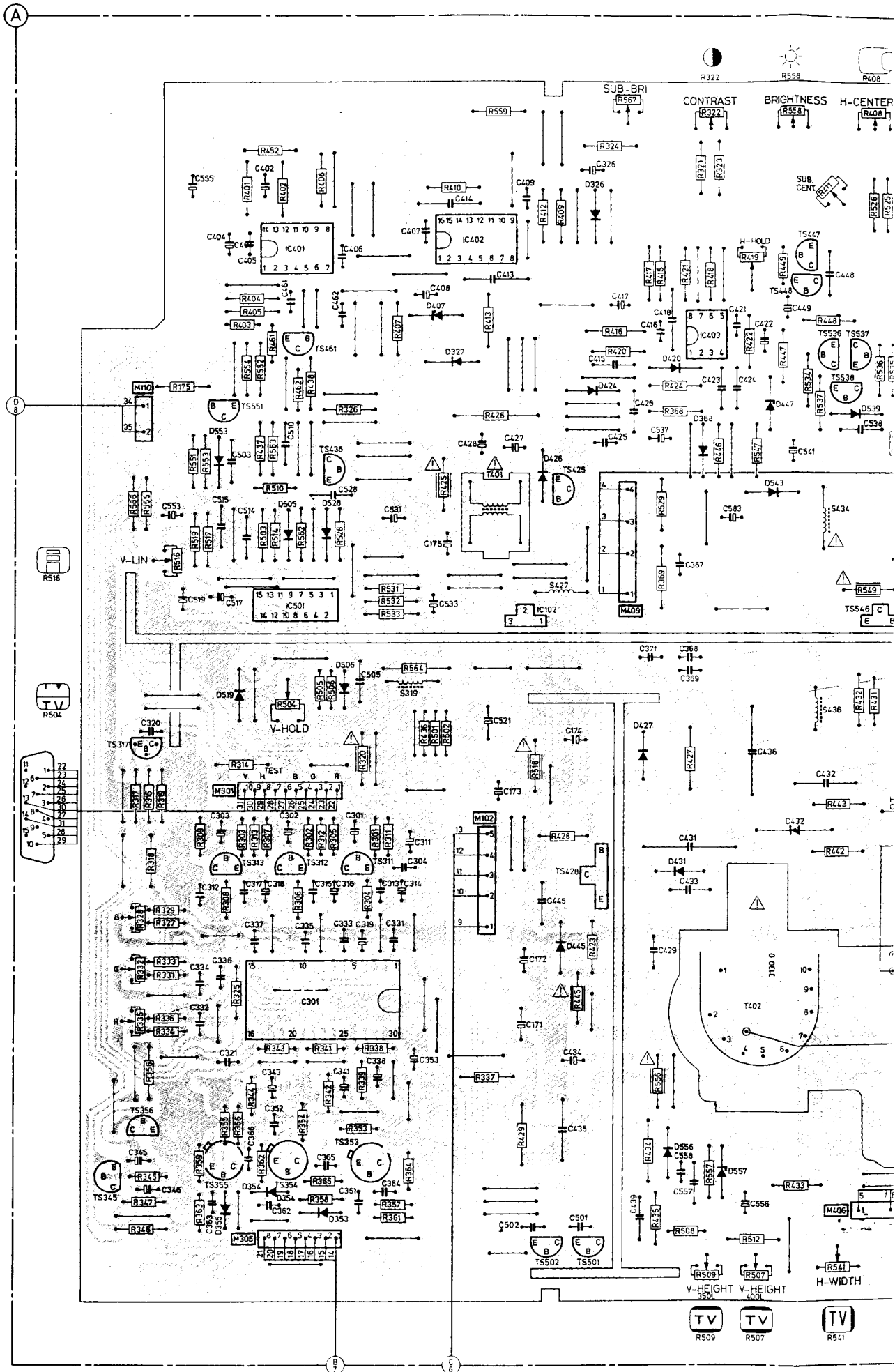


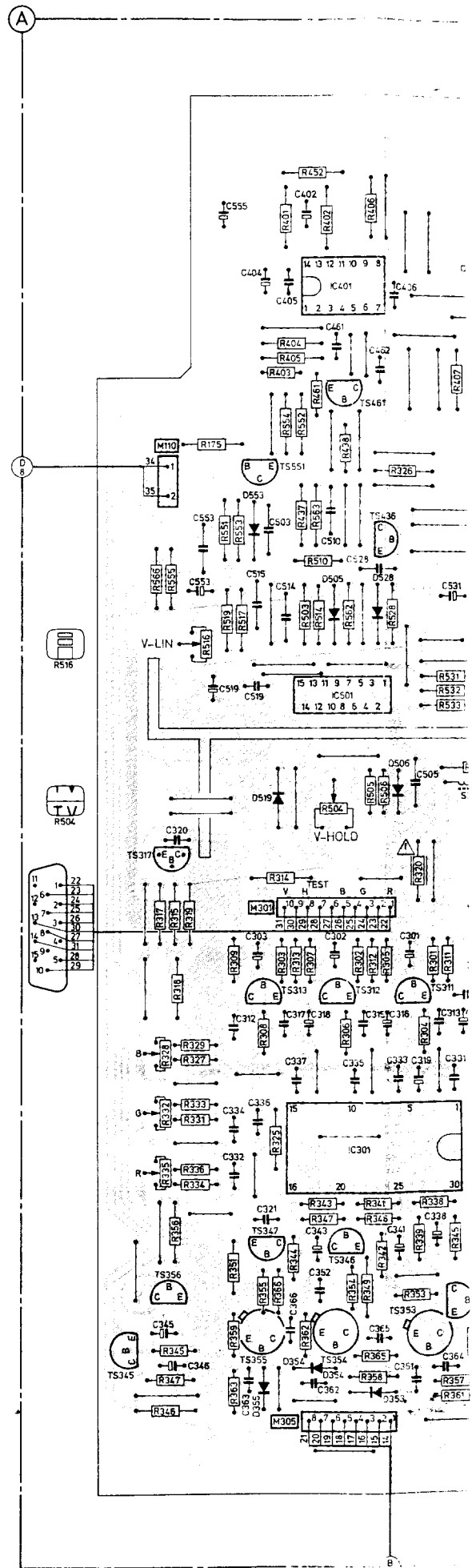
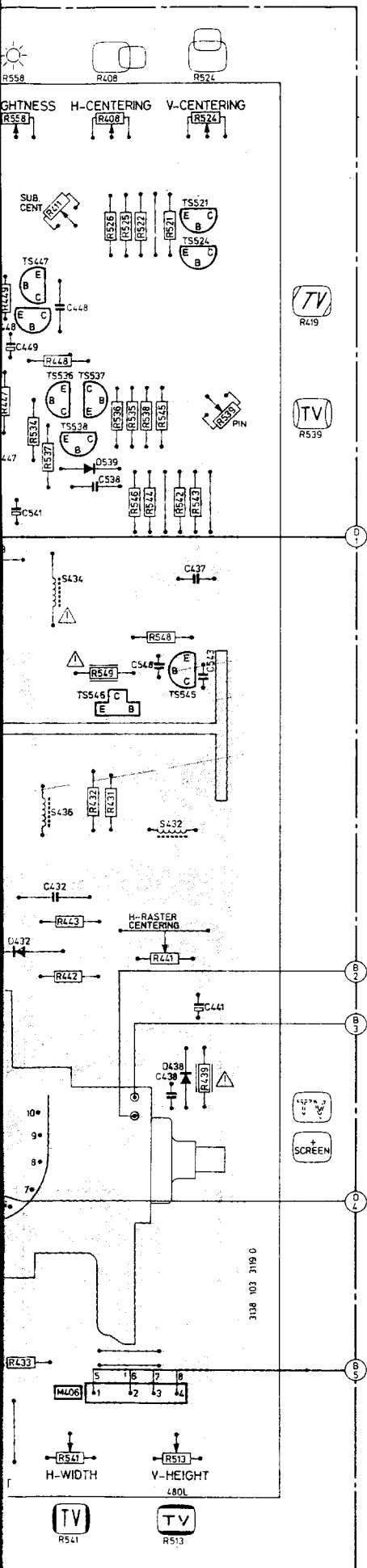
Picture tube PC board
(viewed from the component side)



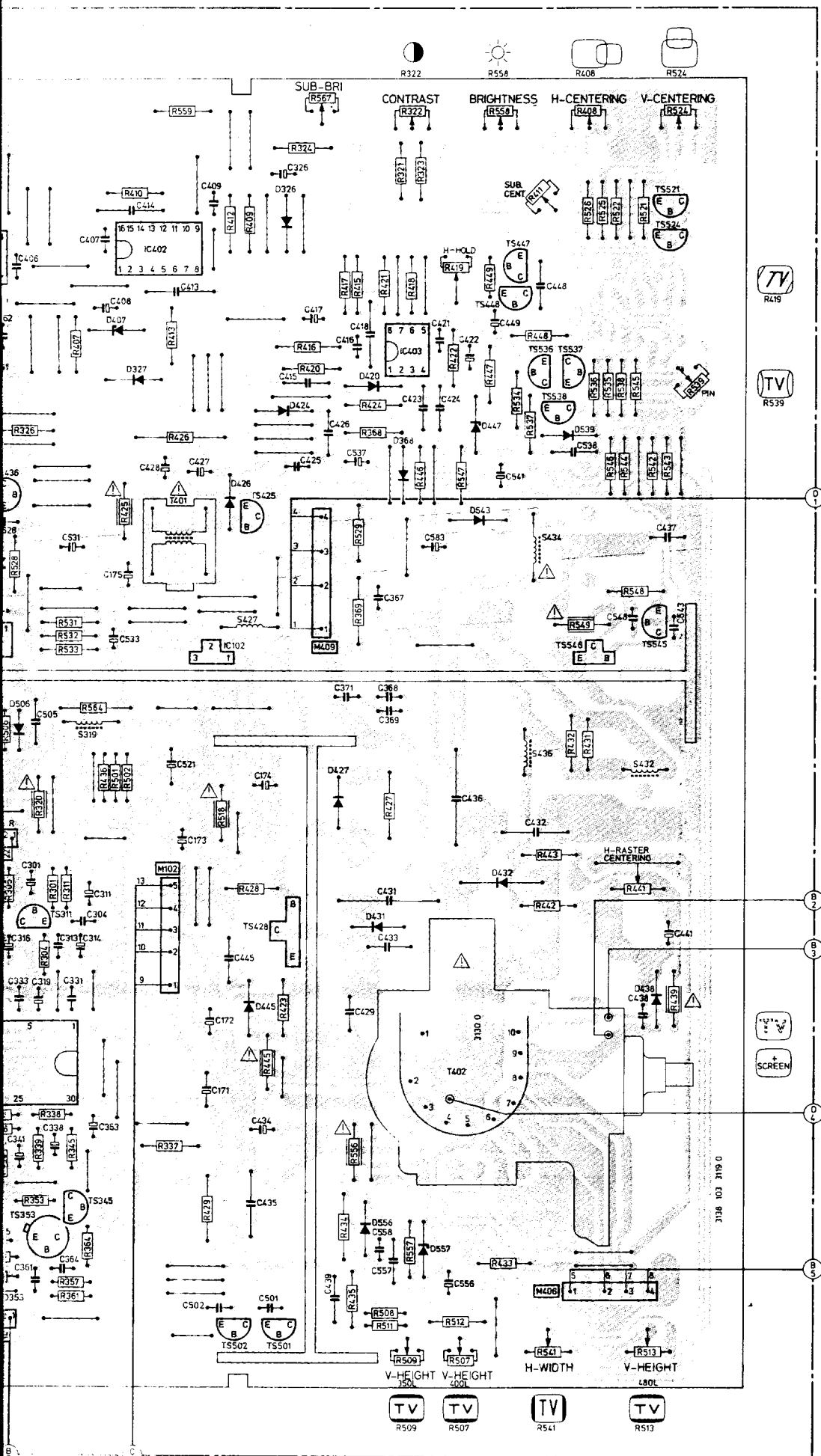
For Service Manuals
MAURITRON SERVICES
 8 Cherry Tree Road, Chinnor
 Oxfordshire, OX9 4QY.
 Tel (01844) 351694
 Fax (01844) 352554
 email:- mauritron@dial.pipex.com



Main PC board 9CM
(viewed from the component side)



Main PC Board 3CM
(viewed from the component side)



TV
R419

TV
R539

TV
SCREEN

TV
R509

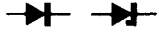

TV
R507

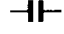
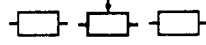

TV
R541

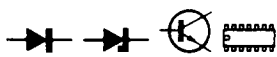


TV
R513

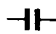
CHASSIS

-II-			-II-		
C171	4822 124 22365	47 μ F - 160 V	C537	4822 124 22685	1 μ F - 50 V
C172	4822 124 22499	10 μ F - 160 V	C541	5322 124 10622	100 μ F - 35 V
C173	4822 124 22358	470 μ F - 35 V	C543	4822 122 40395	3.3 nF - 50 V
C175	4822 124 22498	10 μ F - 25 V	C553	4822 124 22361	1 μ F - 160 V
C301	4822 124 22056	47 μ F - 16 V	C555	4822 124 22361	1 μ F - 160 V
C302	4822 124 22056	47 μ F - 16 V	C556	4822 124 22499	10 μ F - 160 V
C303	4822 124 22056	47 μ F - 16 V	C558	4822 122 32577	470 pF - 500 V
C311	5322 124 10617	100 μ F - 16 V			
C312	4822 122 30043	10 nF - 50 V	R320	4822 111 30499	4.7 Ω - NFR25-safety
C313	4822 122 30043	10 nF - 50 V	R322	4822 100 20649	10 Ω - potm
C314	4822 124 22056	47 μ F - 16 V	R328	4822 101 10862	1 k Ω - potm
C315	4822 122 30043	10 nF - 50 V	R332	4822 101 10862	1 k Ω - potm
C316	4822 124 22056	47 μ F - 16 V	R335	4822 101 10862	1 k Ω - potm
C317	4822 122 30043	10 nF - 50 V	R352	4822 111 30499	4.7 Ω - NFR25-safety
C318	4822 124 22056	47 μ F - 16 V	R369	4822 116 80546	1 M Ω - 1/2 W
C319	5322 124 10616	10 μ F - 16 V	R407	4822 116 60237	120 Ω - 1 W
C321	4822 122 10257	1 nF - 50 V	R408	4822 100 20648	10 k Ω - potm
C326	4822 124 22359	4.7 μ F - 25 V	R409	4822 116 80946	6.8 k Ω - MF25
C331	4822 122 30043	10 nF - 50 V	R410	4822 116 80678	10 k Ω - Met. film
C332	4822 122 30043	10 nF - 50 V	R411	4822 101 10866	5 k Ω - potm
C333	4822 122 30043	10 nF - 50 V	R412	4822 116 80557	22 k Ω - MF 25
C334	4822 122 30043	10 nF - 50 V	R416	4822 116 80551	180 Ω - 2 W
C335	4822 122 30043	10 nF - 50 V	R419	4822 100 10029	2.2 k Ω - potm
C336	4822 124 30043	10 nF - 50 V	R425	4822 111 30499	4.7 Ω - NFR25-safety
C337	4822 122 30043	10 nF - 50 V	R426	4822 116 60239	1 k Ω - 2 W
C345	4822 124 40242	1 μ F - 50 V	R427	4822 111 90809	2.2 Ω - 5 W
C352	4822 122 30043	10 nF - 50 V	R429	4822 111 90809	2.2 Ω - 5 W
C353	5322 124 10617	100 μ F - 50 V	R434	4822 116 80545	1 k Ω - 1/2 W
C362	4822 122 31237	82 pF - 50 V	R439	4822 111 30487	1.5 Ω - NFR25-safety
C364	4822 122 32058	33 pF - 50 V	R441	4822 100 20647	100 Ω - 2 W potm
C365	4822 122 32058	33 pF - 50 V	R442	4822 116 80542	82 Ω - 1W
C366	4822 122 32058	33 pF - 50 V	R443	4822 116 80542	82 Ω - 1W
C367	4822 121 51261	5.1 pF - 500 V	R445	4822 111 30535	100 Ω - NFR25-safety
C368	4822 121 51261	5.1 pF - 500 V	R446	4822 116 80556	120 k Ω - MF25
C369	4822 121 51261	5.1 pF - 500 V	R447	4822 116 80555	18 k Ω - MF25
C371	4822 121 51261	5.1 pF - 500 V	R448	4822 116 80558	4.3 k Ω - MF25
C402	5322 124 10616	10 μ F - 16 V	R451	4822 101 10863	10 k Ω - potm
C404	5322 124 10616	10 μ F - 16 V	R504	4822 100 10036	5 k Ω - potm
C406	4822 122 30043	10 nF - 50 V	R507	4822 101 10865	470 k Ω - potm
C408	5322 124 10617	100 μ F - 16 V	R509	4822 101 10865	470 k Ω - potm
C413	4822 121 51258	2.7 nF - 50 V	R513	4822 100 11198	250 k Ω - potm
C414	4822 121 51258	2.7 nF - 50 V	R516	4822 101 10864	100 k Ω - potm
C415	4822 121 51293	10 nF - 100 V	R518	4822 111 30492	2.2 Ω - NFR25-safety
C416	4822 122 30043	10 nF - 50 V	R522	4822 116 80553	150 Ω - 1 W
C417	5322 124 10617	100 μ F - 16 V	R524	4822 100 20648	10 k Ω - potm
C418	4822 121 51177	3.3 nF - 50 V	R526	4822 116 80553	150 Ω - 1 W
C421	4822 122 33327	4.7 nF - 50 V	R539	4822 101 10863	10 k Ω - potm
C422	4822 124 40242	1 μ F - 50 V	R541	4822 101 10547	10 k Ω - potm
C425	4822 121 42607	27 pF - 500 V	R549	4822 111 30494	2.7 Ω - NFR25-safety
C429	4822 122 33328	100 pF - 2 kV	R556	4822 111 30487	1.5 Ω - NFR25-safety
C431	4822 121 51171	3.9 nF - 1.6kV	R558	4822 100 20652	47 k Ω - potm
C432	4822 121 42192	13 nF - 400 V	R564	4822 116 80554	1.2 Ω - 1 W
C433	4822 122 32569	220 pF - 2 kV	R567	4822 100 10076	47 k Ω - potm
C434	4822 124 22499	10 μ F - 160 V			
C436	4822 121 51259	560 nF - 250 V	S319	4822 157 52494	6.8 μ H
C437	4822 124 41426	6.8 μ F - 50 V	T401	4822 146 21281	hor. drive transf.
C438	4822 122 32577	470 pF - 500 V	T402	4822 140 10342	line outp. transf.
C441	4822 124 22356	220 μ F - 16 V	T402	4822 140 10359	line outp. transf.
C449	4822 124 40242	1 μ F - 50 V	S427	4822 157 53189	5 μ H
C501	4822 122 10257	1 nF - 50 V	S432	4822 157 53402	linarity coil
C502	4822 122 10257	1 nF - 50 V	T434	4822 157 53184	200 μ H
C517	4822 124 22669	1 μ F - 50 V	S436	4822 157 53185	12 mH
C519	5322 124 41431	220 μ F - 35 V	S742	4822 157 52233	10 μ H
C521	4822 124 22362	1000 μ F - 35 V			
C531	5322 124 10618	2200 μ F - 16 V			
C533	4822 124 22056	47 μ F - 16 V			

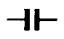

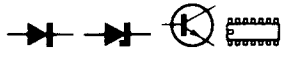

		
BAV21	4822 130 30842	
BY228	4822 130 41275	
BYD33D	4822 130 42488	
BZX79/C5V1	4822 130 80225	
BZX79/F18	4822 130 80234	
BZX79/C2V4	4822 130 31253	
BZV85/C51V	5322 130 31931	
RGP10D	4822 130 31607	
RGP10G	4822 130 31201	
IN4001	4822 130 31438	
IN4003	4822 130 31878	
IN4148	4822 130 33939	
UF5404	4822 130 80445	
		
BC328	4822 130 44104	
BC338	4822 130 44121	
BC547C	4822 130 44503	
BC548B	4822 130 60529	
BC548C	4822 130 44196	
BC557C	4822 130 42231	
BC558C	5322 130 60068	
BC639	4822 130 41053	
BDT61T	4822 130 60784	
BSX60	5322 130 44019	
PH2369	4822 130 41594	
SGSI508A	4822 130 60787	
L7812CV	5322 209 86176	
M51387	4822 209 72803	
74LS86N	5322 209 81636	
74LS123N	5322 209 85602	
MC1391	4822 209 72804	
TDA1670A	4822 209 72108	
VARIOUS		
4822 131 20224	picture tube M34JPS77X69	
4822 131 20258	picture tube M37-118X/N1130	
4822 150 61005	degaussing coil	
4822 265 20235	2 pole micro connector	
4822 265 40682	8 pole micro connector	
4822 265 30376	4 pole connector (1.5 dia)	
4822 264 50198	4 pole connector (2.35 dia)	
4822 265 30408	LOT-holder	
4822 265 30375	plug 5 pole (1.54 dia)	
4822 404 30928	10 pole micro connector	

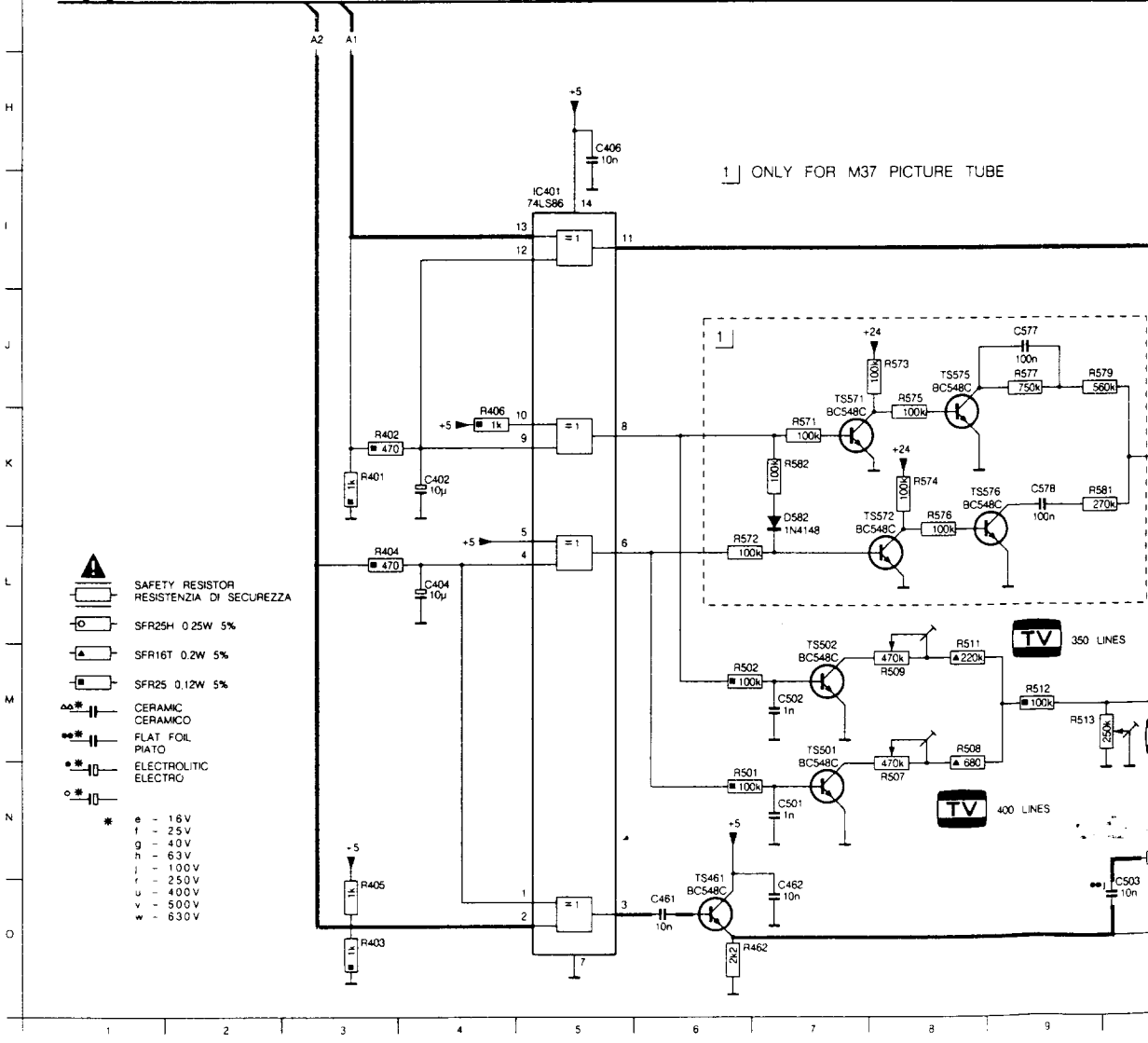
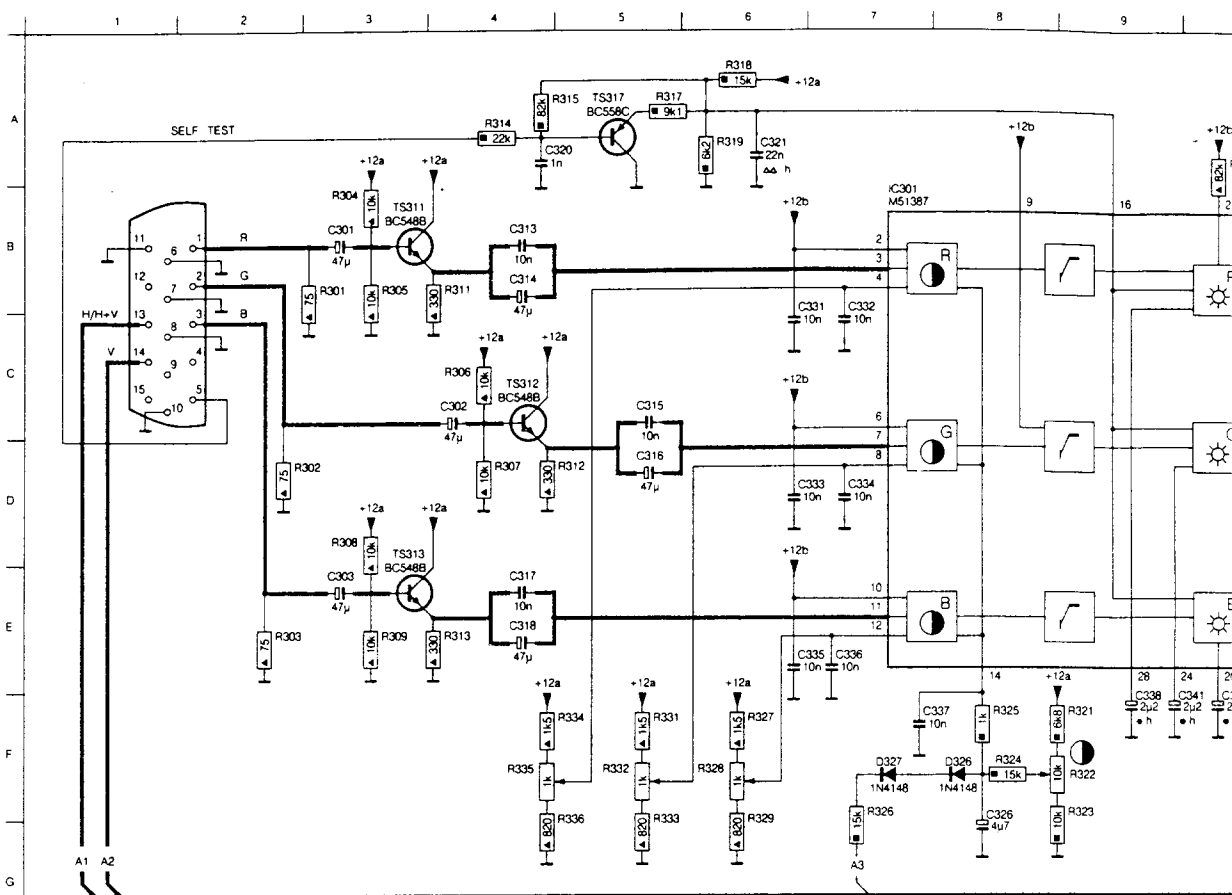
		
C100	4822 122 40602	1 nF - 400 V
C101	4822 122 40602	1 nF - 400 V
C102	5322 121 44212	1 μF - 250 V
C103	4822 122 33332	2.2 nF - 400 V
C104	4822 122 33332	2.2 nF - 400 V
C107	4822 122 40348	2.2 nF - 1 kV
C108	4822 122 40348	2.2 nF - 1 kV
C109	4822 122 40348	2.2 nF - 1 kV
C110	4822 122 40348	2.2 nF - 1 kV
C112	4822 124 21722	100 μF - 400 V
C116	4822 124 40741	22 μF - 16 V
C117	4822 122 32536	10 nF - 50 V
C122	4822 124 40242	1 μF - 50 V
C132	4822 121 50966	2.2 nF - 1 kV
C141	4822 122 32575	220 pF - 500 V
C142	4822 122 32575	220 pF - 500 V
C143	4822 122 32575	220 pF - 500 V
C144	4822 122 32575	220 pF - 500 V
C145	4822 124 41281	47 μF - 200 V
C146	4822 124 41469	100 μF - 100 V
C147	4822 124 22358	470 μF - 35 V
C148	4822 124 22357	470 μF - 25 V
		
R103	4822 113 80358	4.7 Ω - 7 W
R104	4822 116 40127	18 Ω - DUAL I
R114	4822 100 10037	1 kΩ - potm
R129	4822 113 80444	30 Ω - 1 W
R133	4822 116 80388	22 kΩ - 5 W
		
T101	4822 146 30681	power trafo 230 V
S102	4822 152 20668	line choke AC
S131	4822 157 53189	5 μH
S136	4822 242 71344	2 μH
S141	4822 156 21399	180 μH
S142	4822 156 21399	180 μH
S143	4822 157 52234	100 μH
S144	4822 157 52234	100 μH

					
502	1 nF - 400 V	BZX79-C2V4	4822 130 31253		
502	1 nF - 400 V	BZX79-F6V2	4822 130 34167		
212	1 μF - 250 V	BZX79-C9V1	4822 130 80227		
832	2.2 nF - 400 V	BZX79-C16	4822 130 80715		
832	2.2 nF - 400 V	BZX79-C24	4822 130 34398		
848	2.2 nF - 1 kV	RGP10D	4822 130 31607		
848	2.2 nF - 1 kV	RGP10J	4822 130 31393		
848	2.2 nF - 1 kV	1N4148	4822 130 33939		
848	2.2 nF - 1 kV	1N5061	4822 130 31933		
722	100 μF - 400 V	CNX82	4822 130 10025		
741	22 μF - 16 V	BC547C	4822 130 44503		
536	10 nF - 50 V	BC337-40	4822 130 41344		
242	1 μF - 50 V	BUT11AF	4822 130 42679		
966	2.2 nF - 1 kV	BT151-500	5322 130 24081		
575	220 pF - 500 V	VARIOUS 4822 404 30904 support power supply 4822 404 30903 slider power supply 4822 276 11504 power switch 4822 265 30579 power socket 4822 265 20367 2 pole connector (2.35 dia) 4822 265 30376 5 pole plug (1.54 dia) 4822 253 30025 fuse T2A-250 V (VL101) 5322 253 14018 fuse (VL102)			
575	220 pF - 500 V				
575	220 pF - 500 V				
575	220 pF - 500 V				
281	47 μF - 200 V				
169	100 μF - 100 V				
858	470 μF - 35 V				
857	470 μF - 25 V				
58	4.7 Ω - 7 W				
27	18 Ω - DUAL PTC				
37	1 kΩ - potm				
44	30 Ω - 1 W				
88	22 kΩ - 5 W				
81	power trafo 230 V				
68	line choke AC				
89	5 μH				
44	2 μH				
99	180 μH				
99	180 μH				
34	100 μH				
34	100 μH				

			
C701	4822 122 30043		
C702	4822 124 22056		
C703	4822 124 22499		
C705	4822 121 42191		
C706	4822 124 22499		
C707	4822 121 42191		
C708	4822 124 22499		
C709	4822 121 42191		
C711	4822 124 22499		
C718	4822 121 42191		
C719	4822 121 42191		
C721	4822 121 42191		
C726	4822 122 32577		
C733	4822 122 32577		
C739	4822 122 32577		
C741	4822 121 42191		
C742	4822 124 21132		
C743	4822 122 31934		
C744	4822 122 31934		
C745	4822 122 33326		
C746	4822 122 40427		
C751	4822 122 40264		
C752	4822 122 40264		
C753	4822 122 40264		
R702	4822 111 30492		
R703	4822 111 30492		
R704	4822 111 30492		
R705	4822 116 80552		
R709	4822 116 80552		
R714	4822 116 80552		
R722	4822 116 80549		
R726	4822 100 11241		
R728	4822 116 80549		
R733	4822 100 11241		
R735	4822 116 80549		
R739	4822 100 11241		
R742	4822 116 80547		
R743	4822 116 80548		

For Service Manuals
MAURITRON SERVICES
 8 Cherry Tree Road, Chinnor
 Oxfordshire, OX9 4QY.
 Tel (01844) 351694
 Fax (01844) 352554
 email:- mauritron@dial.pipex.com

					
C701	4822 122 30043	10 nF - 50 V	S706	4822 152 20626	2.2 μH
C702	4822 124 22056	47 μF - 16 V	S711	4822 152 20626	2.2 μH
C703	4822 124 22499	10 μF - 160 V	S715	4822 152 20626	2.2 μH
C705	4822 121 42191	10 nF - 500 V	S742	4822 152 20587	7.5 μH
C706	4822 124 22499	10 μF - 160 V			
C707	4822 121 42191	10 nF - 500 V	BAV21	4822 130 30842	
C708	4822 124 22499	10 μF - 160 V	BZV85-C8V2	5322 130 33635	
C709	4822 121 42191	10 nF - 500 V	IN4003	4822 130 31878	
C711	4822 124 22499	10 μF - 160 V	IN4148	4822 130 33939	
C718	4822 121 42191	10 nF - 500 V	BF422	4822 130 41782	
C719	4822 121 42191	10 nF - 500 V	BF423	4822 130 41646	
C721	4822 121 42191	10 nF - 500 V	BF857	4822 130 60832	
C726	4822 122 32577	470 pF - 500 V	VARIOUS		
C733	4822 122 32577	470 pF - 500 V	4822 265 20366	1 pole connector (2,35 dia)	
C739	4822 122 32577	470 pF - 500 V	4822 265 40682	8 pole micro connector	
C741	4822 121 42191	10 nF - 500 V	4822 265 30578	6 pole connector	
C742	4822 124 21132	22 μF - 160 V	4822 255 70216	CRT-socket	
C743	4822 122 31934	2.2 nF - 500 V	4822 267 30926	1 pole connector	
C744	4822 122 31934	2.2 nF - 500 V	4822 252 60115	sparkgap (SG701)	
C745	4822 122 33326	3.3 nF - 500 V	4822 252 60115	sparkgap (SG702)	
C746	4822 122 40427	470 pF - 2 kV	4822 252 60115	sparkgap (SG703)	
C751	4822 122 40264	39 pF - 50 V	LED-assy		
C752	4822 122 40264	39 pF - 50 V			
C753	4822 122 40264	39 pF - 50 V			
					
R702	4822 111 30492	2.2 Ω - NFR25-safety	4822 321 22499	2 pole micro connectors	
R703	4822 111 30492	2.2 Ω - NFR25-safety	4822 130 42242	CQW11B-green	
R704	4822 111 30492	2.2 Ω - NFR25-safety			
R705	4822 116 80552	1 kΩ - 3 W			
R709	4822 116 80552	1 kΩ - 3 W			
R714	4822 116 80552	1 kΩ - 3 W			
R722	4822 116 80549	220 Ω - 1/2 W			
R726	4822 100 11241	100 kΩ - potm			
R728	4822 116 80549	220 Ω - 1/2 W			
R733	4822 100 11241	100 kΩ - potm			
R735	4822 116 80549	220 Ω - potm			
R739	4822 100 11241	100 kΩ - potm			
R742	4822 116 80547	1.5 kΩ - 1/2 W			
R743	4822 116 80548	15 kΩ - 1/2 W			

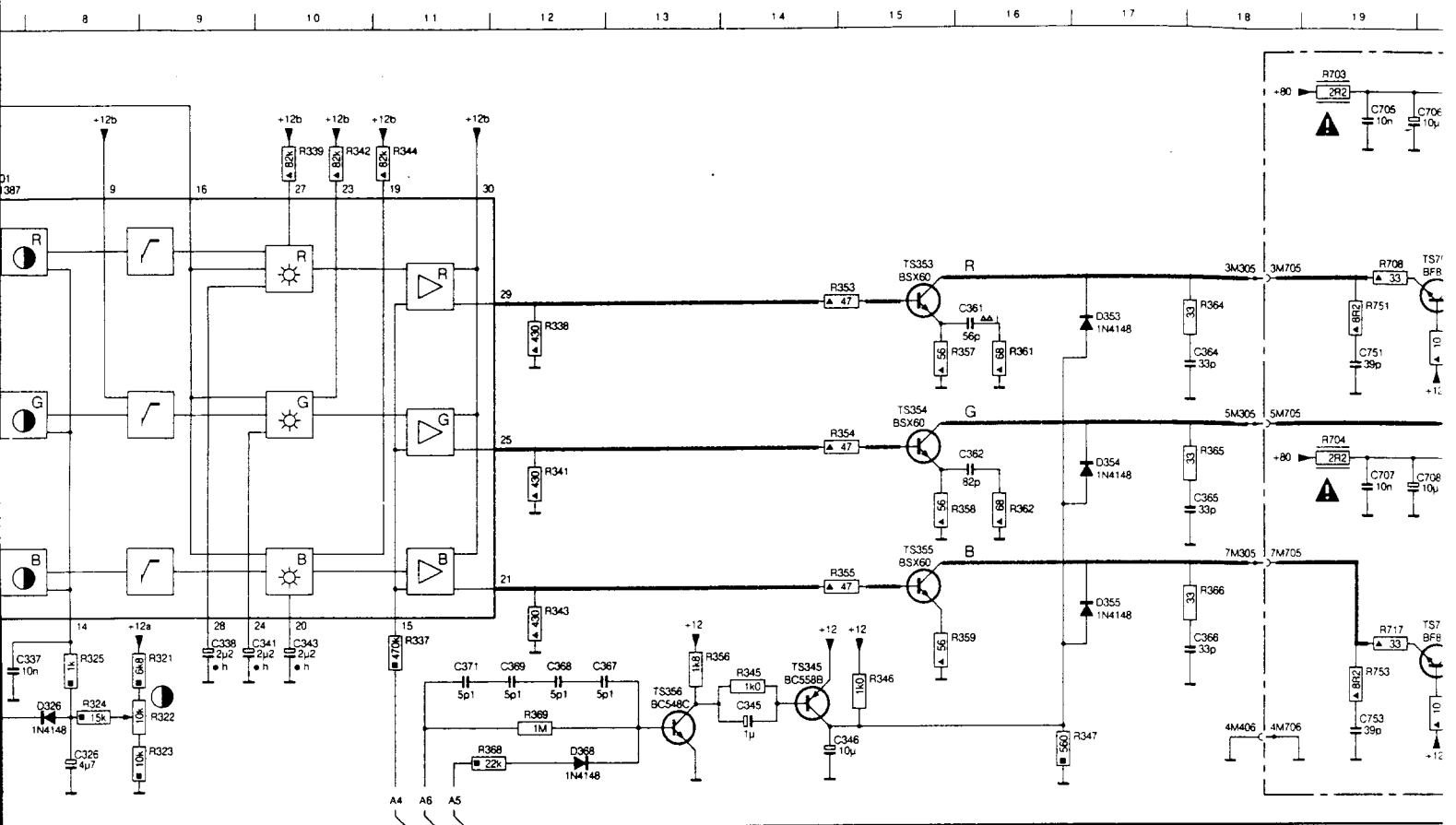


- SAFETY RESISTOR**
RESISTENZA DI SICUREZZA
- SFR25H 0.25W 5%
- SFR16T 0.2W 5%
- SFR25 0.12W 5%
- CERAMIC
CERAMICO
- FLAT FOL
PIATO
- ELECTROLYTIC
ELECTRO
- * e - 16V
f - 25V
g - 40V
h - 63V
j - 100V
r - 250V
u - 400V
v - 500V
w - 630V

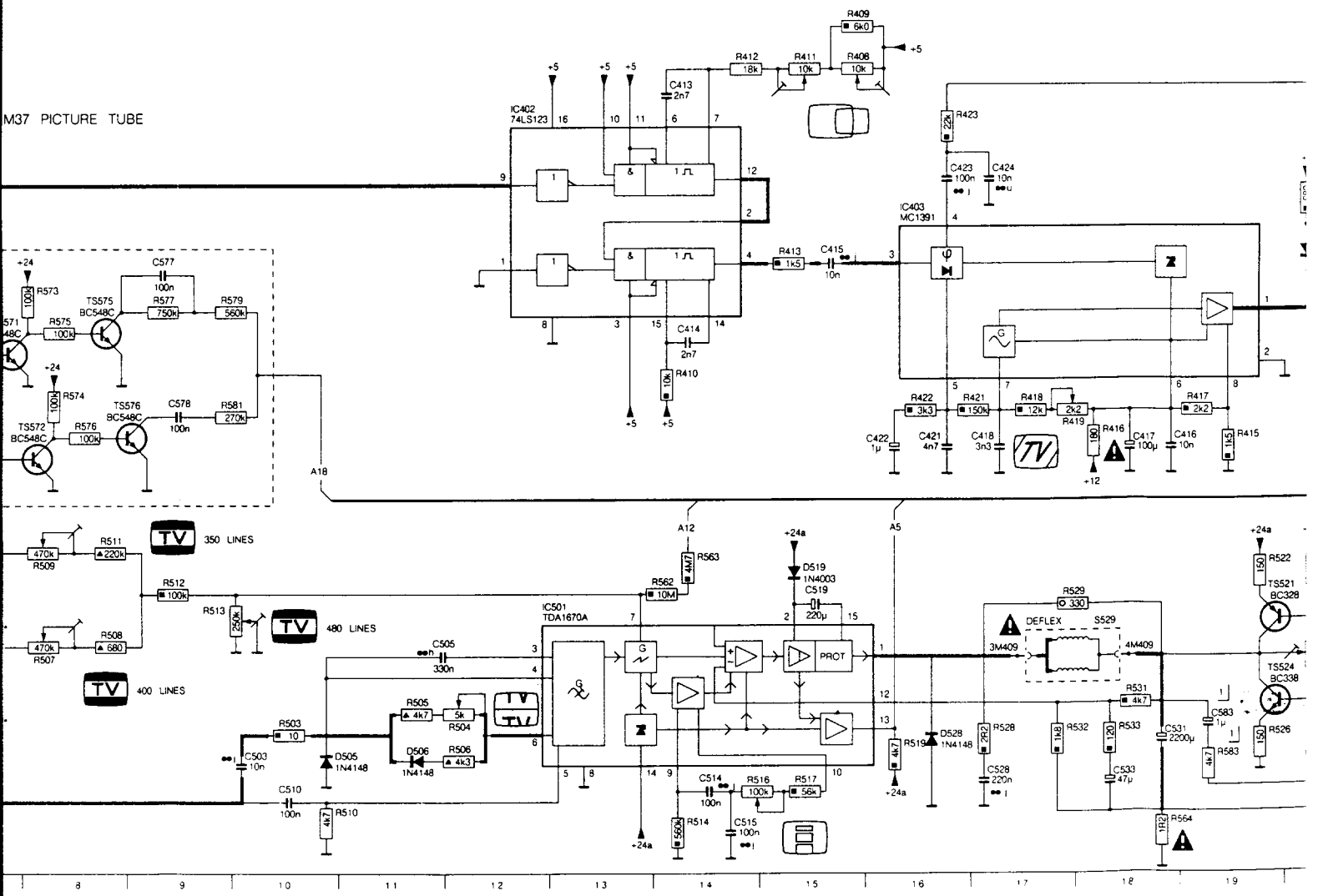
1) ONLY FOR M37 PICTURE TUBE

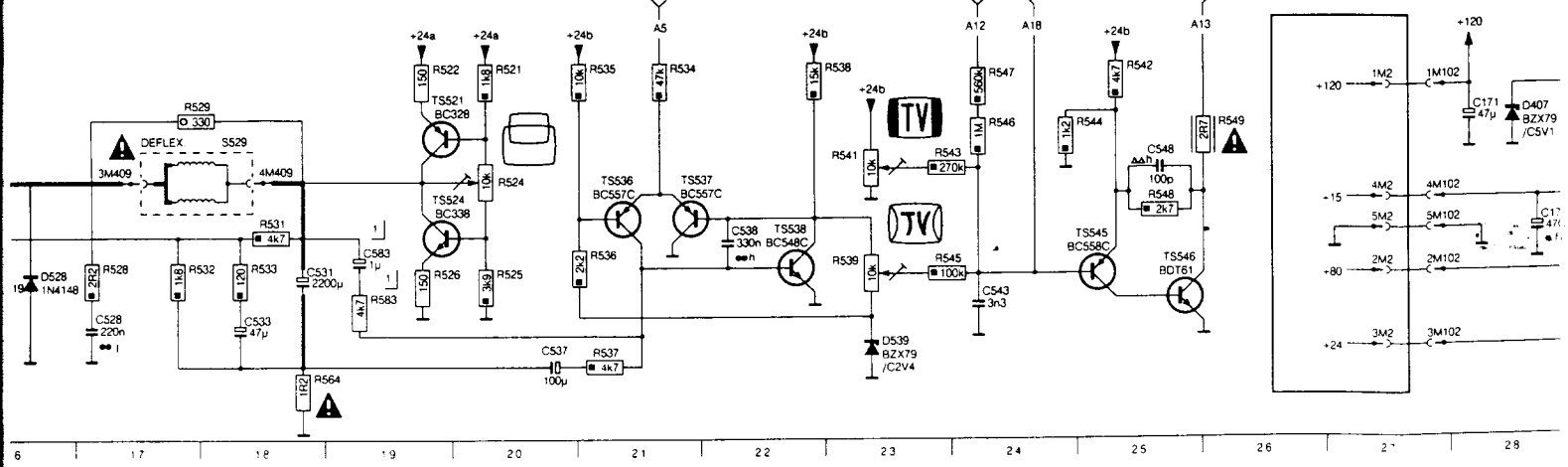
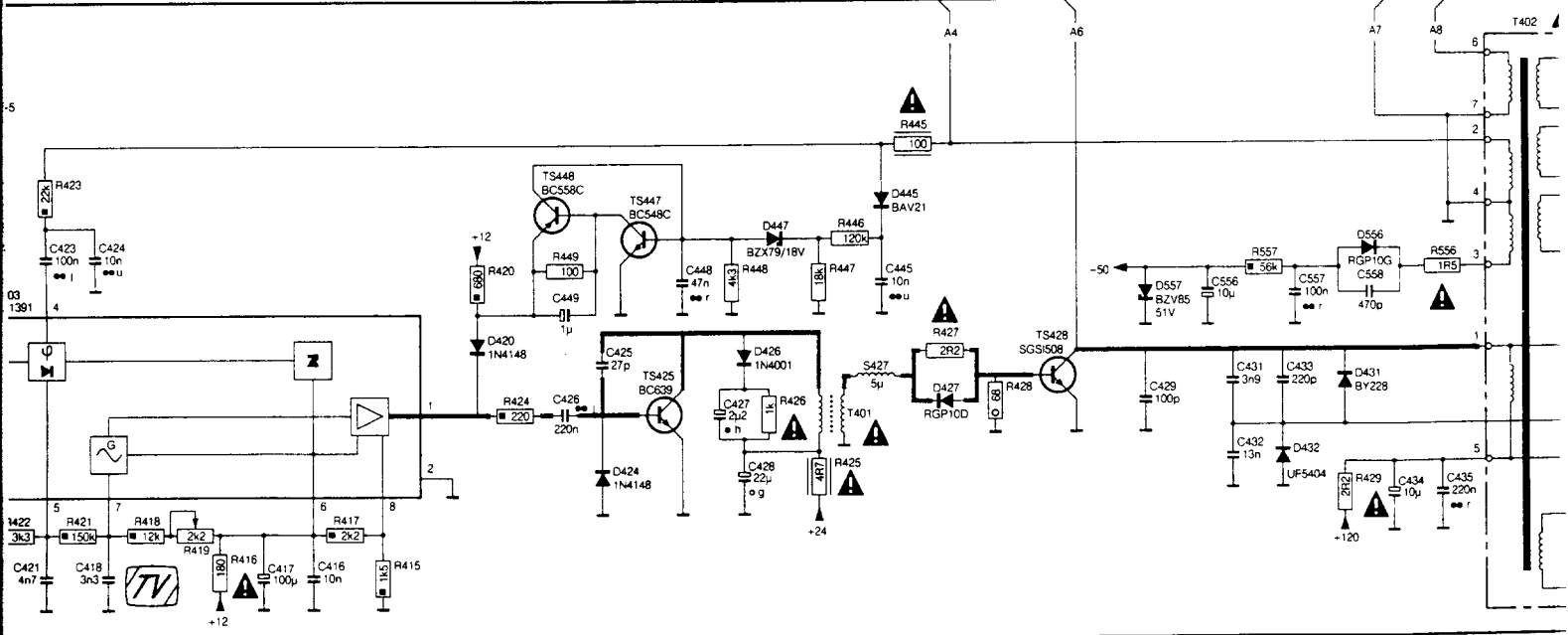
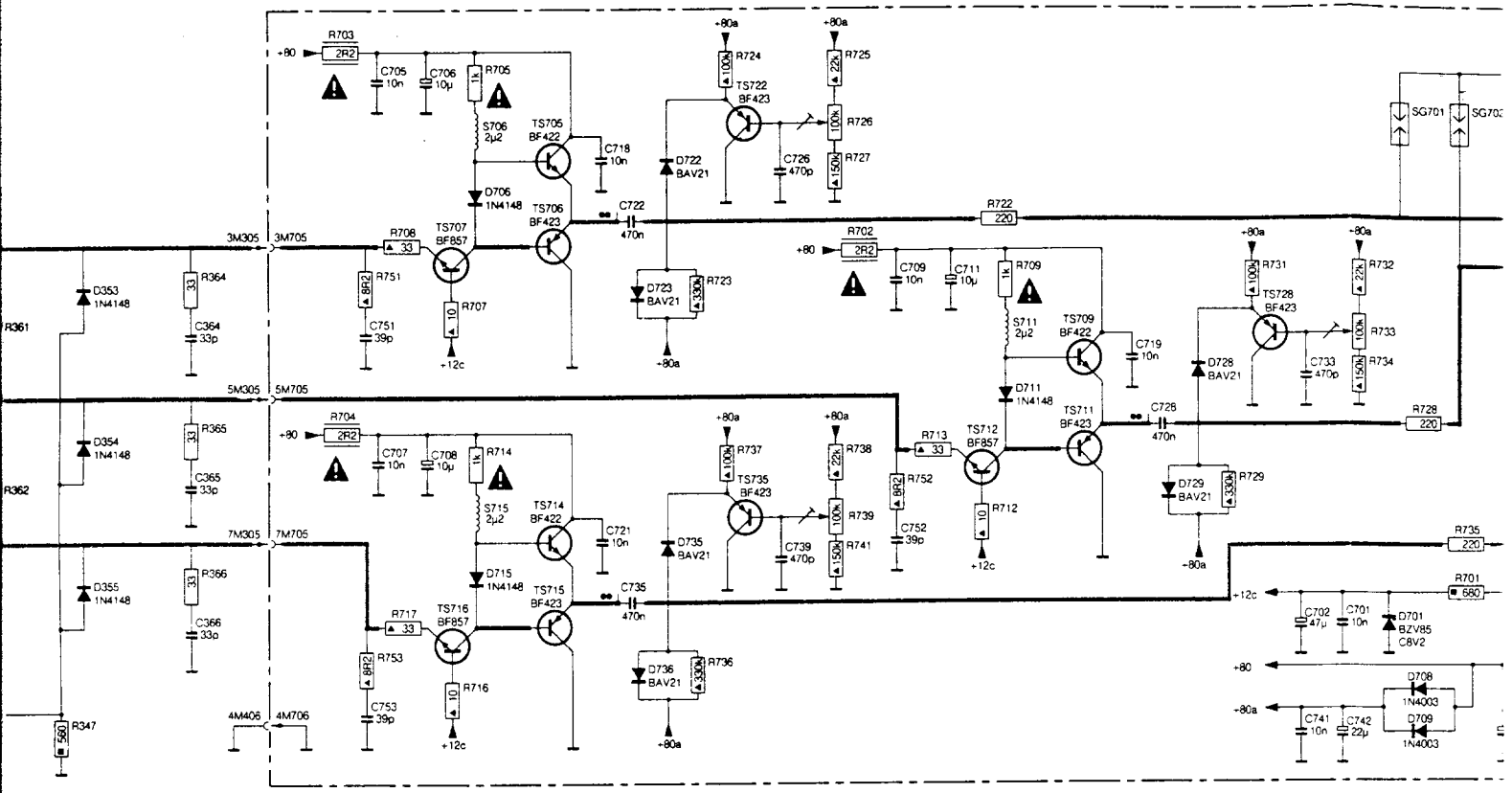
TV 350 LINES

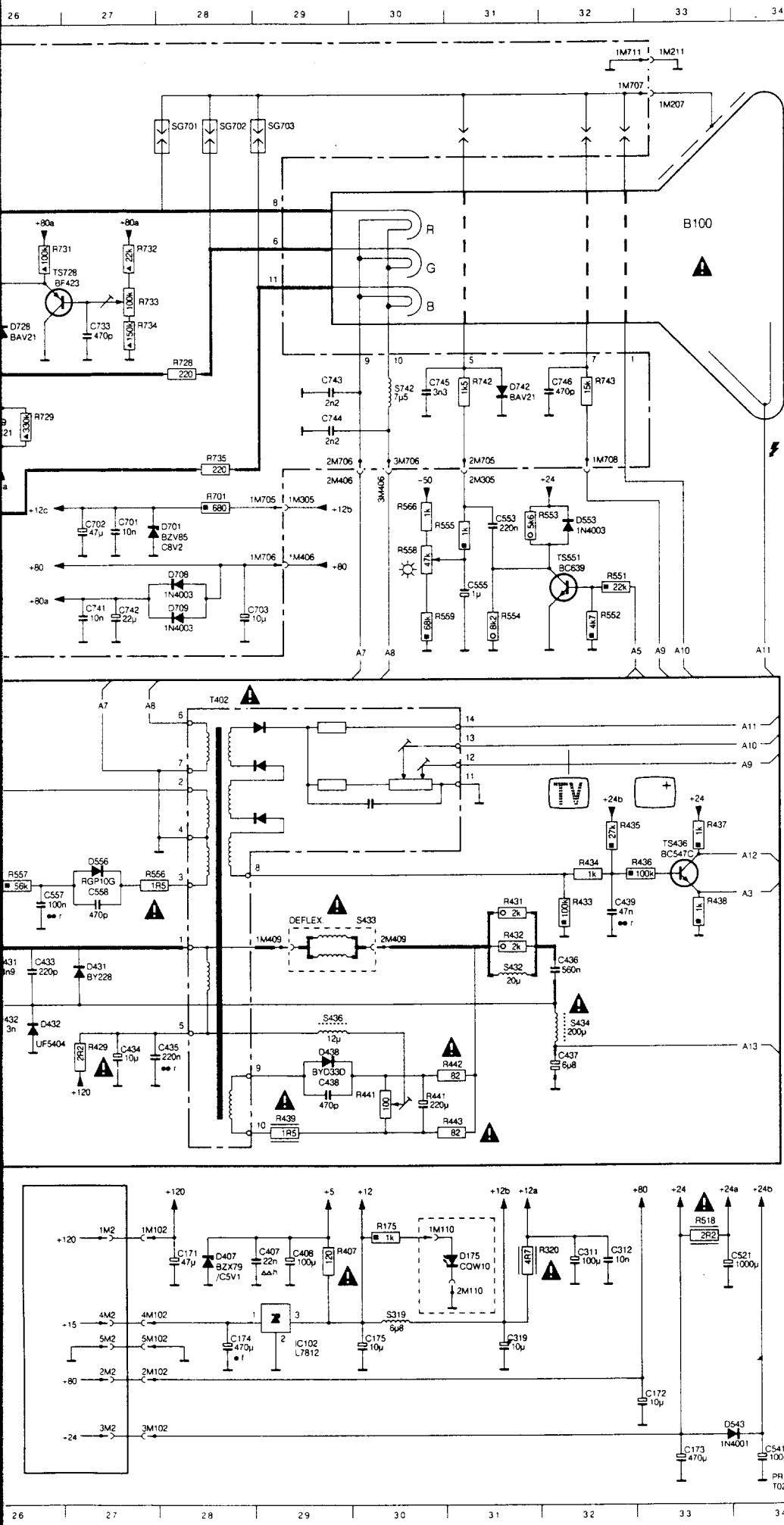
TV 400 LINES



M37 PICTURE TUBE







B100	R33	O528	N16	R519	N15
C117	Q28	O539	O23	R521	N20
C172	Q33	O549	O34	R522	N25
C173	Q33	O553	E32	R524	N27
C174	N28	O556	I27	R525	N23
C175	N30	O557	I25	R526	N19
C301	B3	O582	K7	R528	N17
C302	C4	O702	L8	R529	N17
C303	E3	O706	X20	R531	N18
C311	W2	O708	F28	R532	N18
C312	W2	O709	F28	R533	N18
C313	B4	O711	O24	R534	N21
C314	B4	O715	E20	R535	N21
C315	E5	O722	S22	R536	N21
C316	D5	O723	C21	R537	O21
C317	E4	O728	C26	R538	N23
C318	E4	O729	D26	R539	N23
C319	N31	O735	E22	R541	N23
C320	A5	O736	F21	R542	N25
C321	A6	O742	D31	R543	N23
C326	F8	I1C102	N29	R544	N25
C331	B7	I1C301	B7	R545	N23
C332	B7	I1C401	I5	R546	N24
C333	D7	I1C402	I12	R547	N24
C334	D7	I1C403	I15	R548	N25
C335	E7	I1C501	M15	R549	N26
C336	E7	I175	W60	R551	F12
C337	F8	R301	B3	R552	F32
C338	F9	P302	D3	R553	E32
C341	F10	P303	E2	R554	F31
C343	F10	P304	B3	R555	E31
C345	F14	R305	F5	R556	I27
C346	F15	R306	C4	R557	I26
C361	C16	R307	D4	R558	F30
C362	D16	P308	D3	R559	F31
C364	C18	R309	E3	R562	M14
C365	D18	R311	B4	R563	M14
C366	E18	R312	A11	R564	O19
C367	F12	R313	E4	R566	E30
C368	F12	R314	A4	R571	K7
C369	F12	R315	A5	R572	L5
C371	F11	R317	A5	R573	J5
C402	K4	R318	A6	R574	K8
C404	L4	R319	A6	R575	K8
C405	L5	P320	W32	R576	K8
C407	W29	R321	F9	R577	J9
C408	W29	R322	F9	R579	J9
C413	H14	R323	F9	R581	K9
C414	K14	R324	F8	R582	K9
C415	J15	R325	F8	R583	O19
C416	L19	R326	F7	R701	E28
C417	L18	R327	F6	R702	B23
C418	L17	R328	F6	R703	A19
C421	L16	R329	F6	R704	D19
C422	L16	R331	F5	R705	A20
C423	L15	R332	F5	R707	C20
C424	L17	R333	F5	R708	B19
C425	J21	R334	F5	R709	C24
C426	J20	R335	F4	R712	E24
C427	J22	R336	F5	R713	D24
C428	K22	R337	F11	R714	D20
C429	J25	R338	C12	R716	F20
C431	J26	R339	A10	R717	E19
C432	K26	R341	D12	R722	B24
C433	J26	R342	A10	R723	C22
C434	K27	R343	E12	R724	A22
C435	K28	R344	A11	R725	B23
C436	J32	R345	F14	R726	A23
C437	K32	R346	F15	R727	B23
C438	K29	R347	F17	R728	D28
C439	I32	R353	C15	R729	D26
C445	I23	R354	D15	R731	C27
C448	I22	R355	F15	R732	C27
C449	I20	R356	F14	R733	C27
C461	O6	R357	C16	R734	C27
C462	O7	R358	D16	R735	E28
C501	N7	R359	E16	R736	F22
C502	M7	R361	C16	R737	C22
C503	O10	R362	K13	R738	O23
C505	M11	R364	C18	R739	E33
C510	O10	R365	D18	R741	E23
C514	O14	R366	E18	R742	D31
C515	O14	R368	F11	R743	D32
C519	M15	R369	F12	R751	O19
C521	W14	R401	K4	R752	D24
C528	O17	R402	K3	R753	F14
C531	N18	R403	O3	S319	N30
C533	O18	R404	L3	S427	J23
C537	O20	R405	O3	S432	J31
C538	N22	R406	K4	S433	J30
C541	O34	R407	W29	S434	K32
C543	O24	R408	H15	S436	K29
C548	W25	R409	H15	S529	M18
C553	E31	R410	K14	S706	A20
C555	F31	R411	H15	S711	C24
C556	I26	R412	H14	S715	E20
C557	I26	R413	J15	S742	O30
C558	I27	R415	L19	SG701	A28
C577	J9	R416	K18	SG702	A28
C578	K9	R417	K19	SG703	A29
C583	N19	R418	K17	T401	J23
C701	E27	R459	K17	T402	G28
C702	E27	R420	L20	TS11	B3
C703	F29	R421	K17	TS12	C4
C705	A19	R422	K16	TS13	D3
C706	A20	R423	I17	TS17	A5
C707	D19	R424	J20	TS345	F14
C708	O20	R425	K23	TS353	B15
C709	C24	R426	J22	TS354	D15
C711	C24	R427	J23	TS355	E15
C718	B21	R428	J24	TS356	F3
C719	C25	R429	K27	TS425	J21
C721	E21	R431	I31	TS428	J24
C722	B21	R432	J31	TS436	I32
C726	B23	R433	I32	TS447	I21
C728	D26	R434	I32	TS448	H20
C733	C27	R435	I32	TS461	N6
C735	E21	R436	I33	TS501	M7
C739	E23	R437	I33	TS502	M7
C741	F27	R438	I33	TS511	M19
C742	F27	R439	L29	TS524	N19
C743	D29	R441	K30	TS536	N21
C744	D29	R441	K30	TS537	N21
C745	D30	R442	K31	TS538	N22
C746	D32	R443	L31	TS545	N25
C751	C19	R444	H23	TS546	N25
C752	E24	R446	I23	TS551	F32
C753	F19	R447	I23	TS571	J7
D175	W31	R448	I22	TS572	K8
D326	F8	R449	I20	TS575	J8
D327	F7	R452	O7	TS576	K8
D353	I17	R501	N6	TS705	A20
D354	D17	R502	M6	TS706	B20
D355	E17	R503	N10	TS707	B20
D368	F12	R504	N12	TS709	C25
D407	W28	R505	N11	TS711	B25
D408	J20	R506	N12	TS712	C24
D424	K21	R507	N8	TS714	E20
D426	J22	R508	M8	TS715	E20
D427	J23	R509	M8	TS716	E20
D431	J27	R510	O11	TS722	A22
D432	K26	R511	M8	TS732	H18
D438	K29	R512	M9	TS735	D22
D445	I23	R513	M9		
D447	I22	R514	O14		
D505	O11	R516	O14		
D506	O11	R517	O15		
D519	M15	R518	W33		

PRS 05441
T02-844